

- 1. Removes all water - No more oil change required.**
- 2. Continuous water separation!**
- 3. Oil-water-separation directly visible.**

**Engineered to remove
Water + Solid particles!**



Features:

- Very compact Water Separator.
- Separates the water from oil based fluids and allows draining the water easily and quickly.
- **2 in 1 : water separation and oil filtration.**
- Based on coalescent technology, agglomerates water molecules into droplets, which then drop to the bottom of the fluid.
- Built around a very compact power pack, the WSWD-filter connects to the oil reservoir.
- Low running cost, easy installation & maintenance.
- Available in various setups, with optional pre-heater and various motor versions.

Environmental protection:

- Triple R filters effectively clean the oil (down to NAS 7 or ISO 18/16/12) and stabilize the oil condition.
- The result is a significant increase of the oil life and a significant reduction of oil consumption.

Benefits:

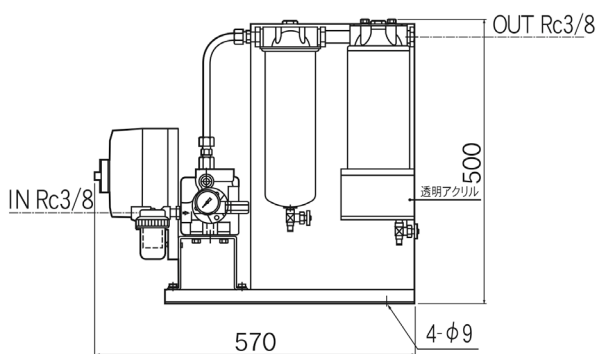
- Avoids imminent oil changes, allows immediate extension of the oil usage and oil life.
- Avoids creation of Rust.
- Improves productivity and machine reliability. Assures longer life of all hydraulic components and prevents breakdowns to the hydraulic equipment.
- Saves significantly on maintenance and oil change related labor cost, and production loss.
- Extends oil life up to up to 50.000 hrs.
- Very important reduction of waste oil and oil disposal expenses.

Typical applications:

- Marine applications.
- All systems fitted with a leaking oil cooler.
- Perfect for cleaning Diesel fuel.

Technical specifications

Model *	WS-WD	WS-WD-1PF	WS-SU103-1R-WS20
Article nr.	TR-16000	TR-16100	TR-16300
Flow rate	1,8 l/m	1,8 l/m	6,0 l/m
Motor	230Vx1 or 400Vx3, 50Hz		
Power	0,12 kW (230V) - 0,37 kW (400V)		
Element type	1 x WG100 1 x WS10	1 x WS10 1 x PF10	3 x WG100 3 x WS20
Max pressure	pressure relief set at 4,5 bar		
Weight kg	25,0	27,4	95,0
Dimension mm	505 x 300 x 500	570 x 300 x 500	440 x 955 x 1045



WS-WD-1PF



WS-SU103-1PF-3PF20

Remarks:

The water separation efficiency depends on various conditions like the oil type and brand type, the oil temperature, the water content (%), and the presence of the water in the oil (free water or emulsified water).

Other combinations and additional equipment, like pre-heaters, are available on demand. Always consult your local distributor.

Connecting off-line to an oil reservoir.

All SE filter systems are **CE**-certified. Please consult our instruction manual before connecting the SE-filters to your machinery.

